

**CLEMCO ORBITER I AND ORBITER III
INTERNAL PIPE PAINTING TOOLS
O.M. 09336**

**MC FILE NUMBER: 0565-1183
DATE OF ISSUE: NOV. 1983
REVISION: B, 04/09**

! WARNING

Do not proceed with these instructions until you have READ the orange cover of this MANUAL and YOU UNDERSTAND its contents.*

These WARNINGS are included for the health and safety of the operator and those in the immediate vicinity.

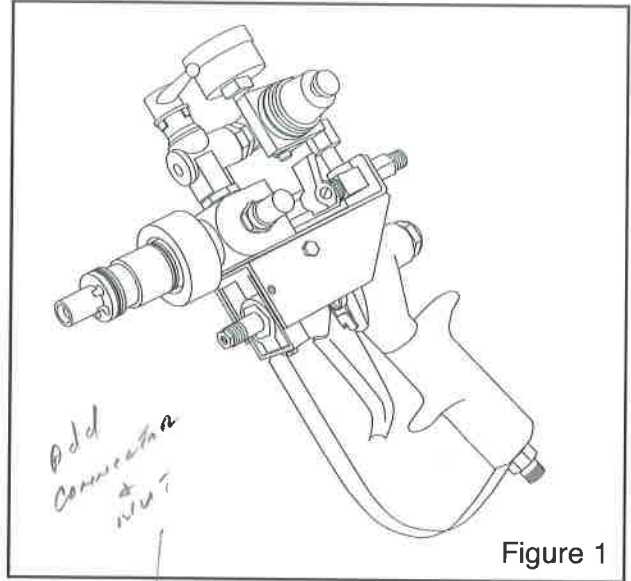
***If you are using a Clemco Distributor Parts and Maintenance Guide refer to the orange warnings insert preceding the Index before continuing with the following instructions.**

Electronic files include a Preface containing the same important information as the orange cover

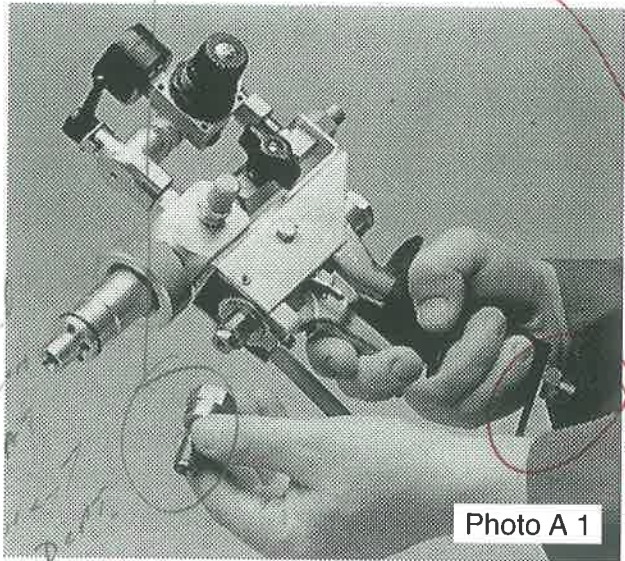
© 2009 CLEMCO INDUSTRIES CORP.
One Cable Car Drive
Washington, MO 63090
Phone (636) 239-4300
Fax (636) 239-0788
Email: info@clemcoindustries.com
www.clemcoindustries.com



Need Photo
Connecting
Pneum. Hose
From Airless
To Bottom
Fitting



This
Start Show
Have to
Done
Com Do
AS4



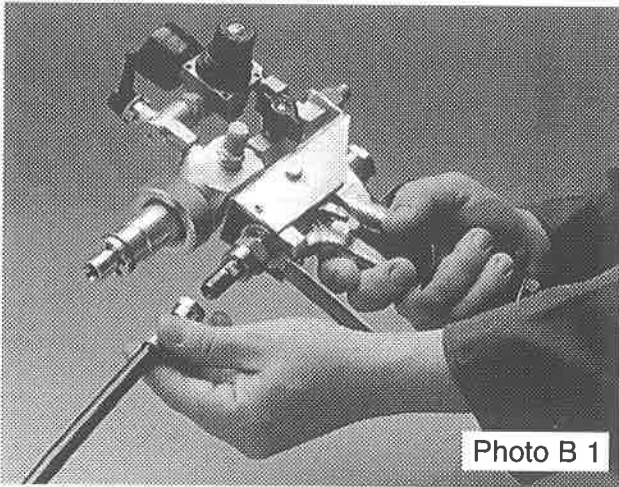


Photo B 1

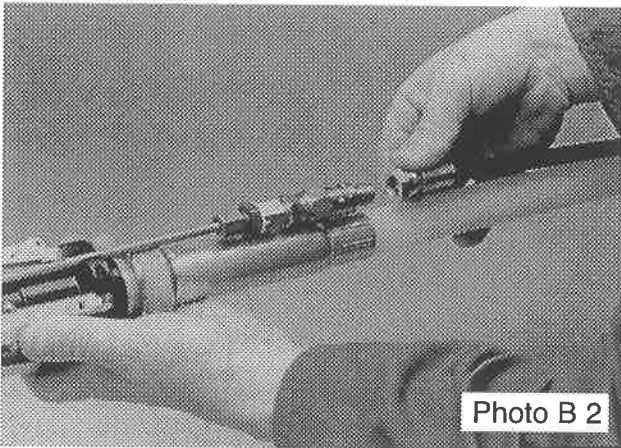


Photo B 2

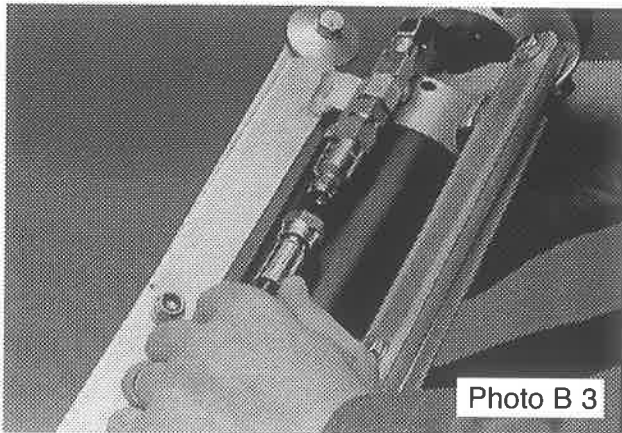


Photo B 3

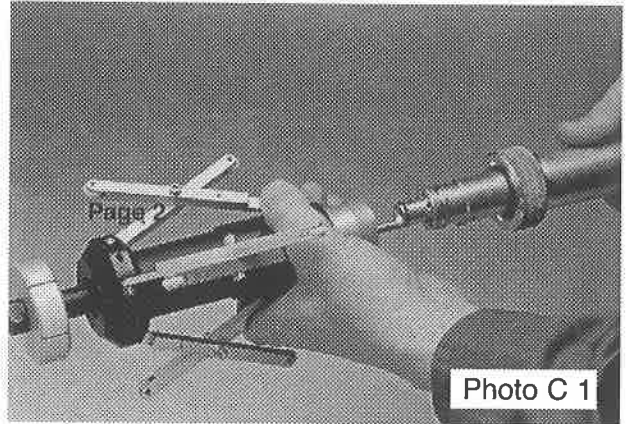


Photo C 1

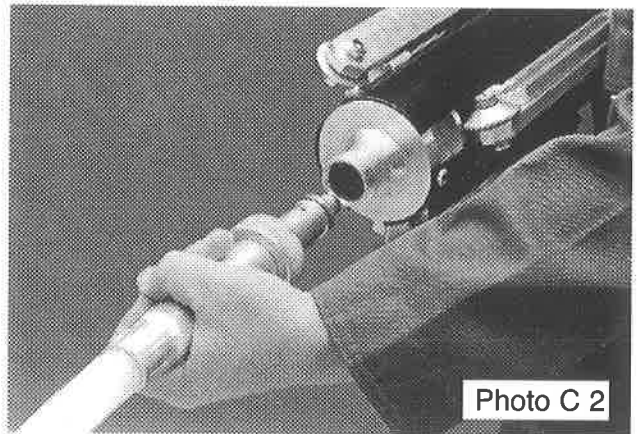


Photo C 2

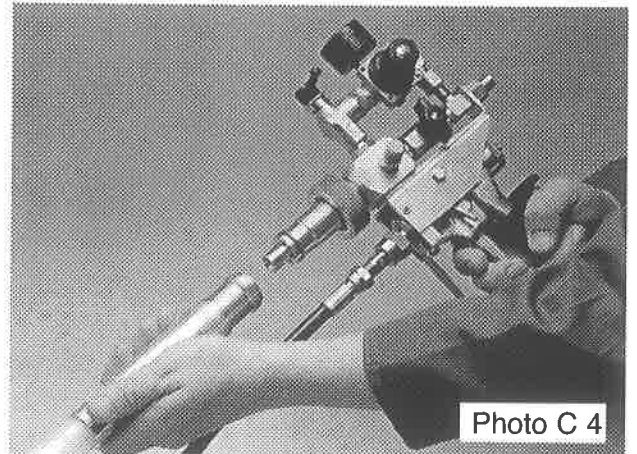
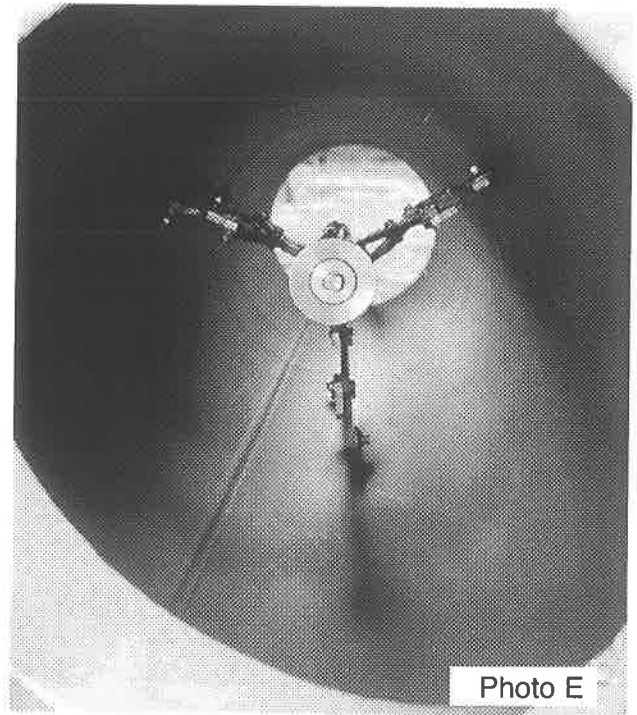
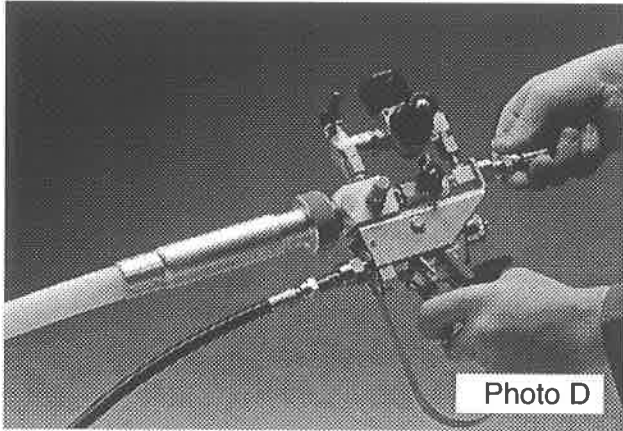
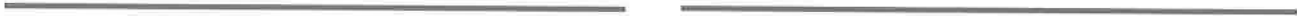


Photo C 4







7.0 REPLACEMENT PARTS

**7.1 ORBITER I Tool, less hoses and gun
(see Figure 2.)93063**

Item Description	Stock No.
(1) Hub93064
(2) Impeller93065
(3) Cage93066
(4) Motor End93067
(5) Locking screws (2)93068
(6) Airmotor93069
(7) Tube93070
(8) Screw93071
(9) Cylinder93072
(10) O-ring (34.2 X 3.0)93073
(11) Coupling93074

Item Description	Stock No.(12)
(12) O-ring (34.2 X 3.0)93075
(13) Strainer, complete93076
(14) Strainer93077
(15) Nylon ring93326
(16) Spray tip (see spray tip selection list)	
(17) Paint tube93079
(18) Nipple93281
(19) Leg w/wheel93278
(20) Leg only93282
(21) Bearing93082
(22) Pin93081
(23) Screw93083
(24) Nut93283
(25) Shaft93084
(26) Bearing93279
(27) Wheel93060
(28) Ring93280
(-) Wheel kit for Orbiter I Set includes: 93084 shaft, 93279 bearings, 93060 wheel94000

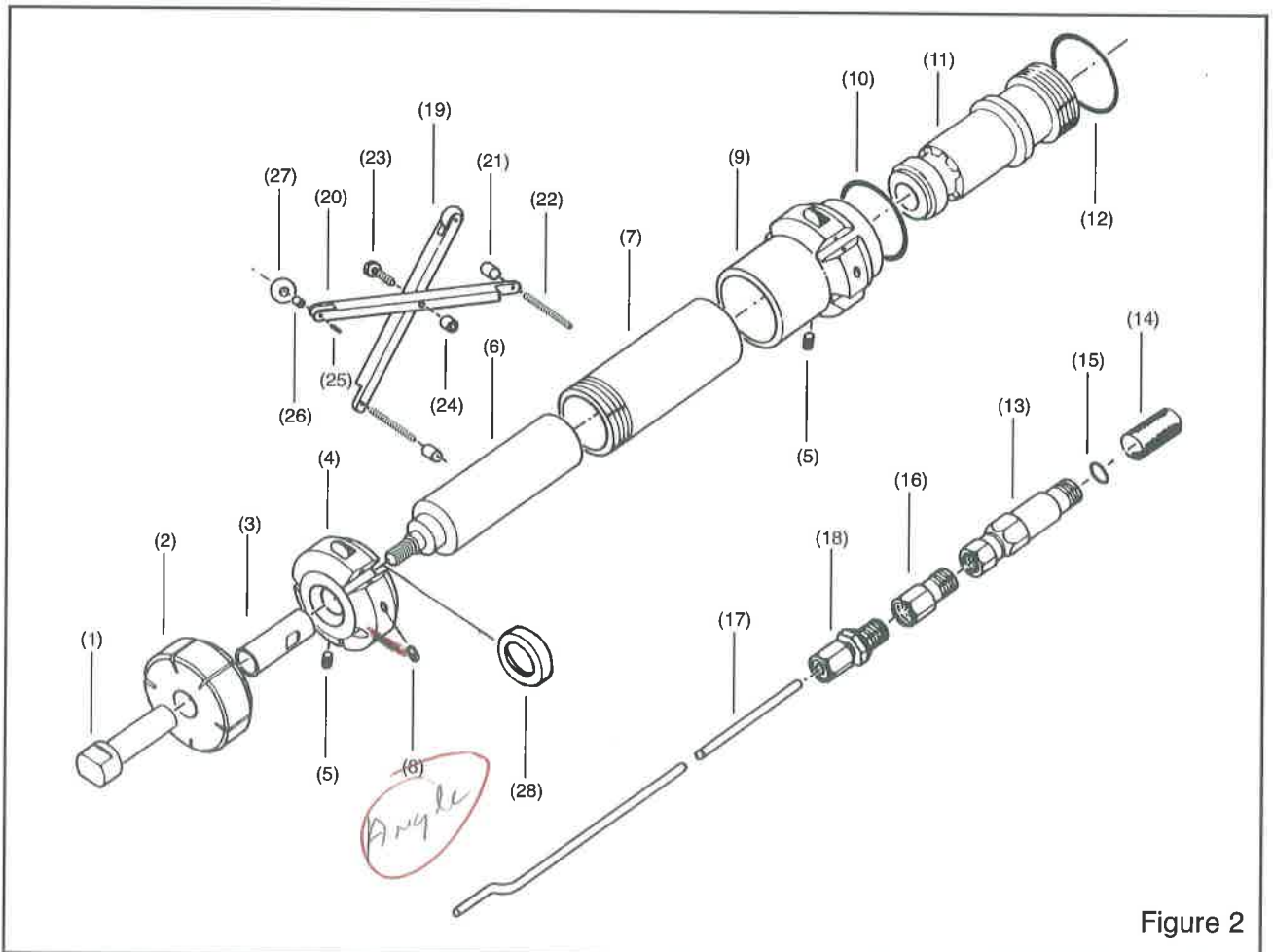


Figure 2

7.2 ORBITER I Air Motor
(see Figure 3.)93069

Item Description	Stock No.	Item Description	Stock No.
(1) Casing93284	(8) Cylinder	93292
(2) Ball bearing93285	(9) Roll pin93293
(3) Spacer93286	(10) Rear plate93290
(4) Front plate93287	(11) Ball bearing93294
(5) Key93288	(12) O-ring (16.1 X 1.6)93295
(6) Rotor93289	(13) Spacer93296
(7) Blades (2)93291	(14) Snap ring93297

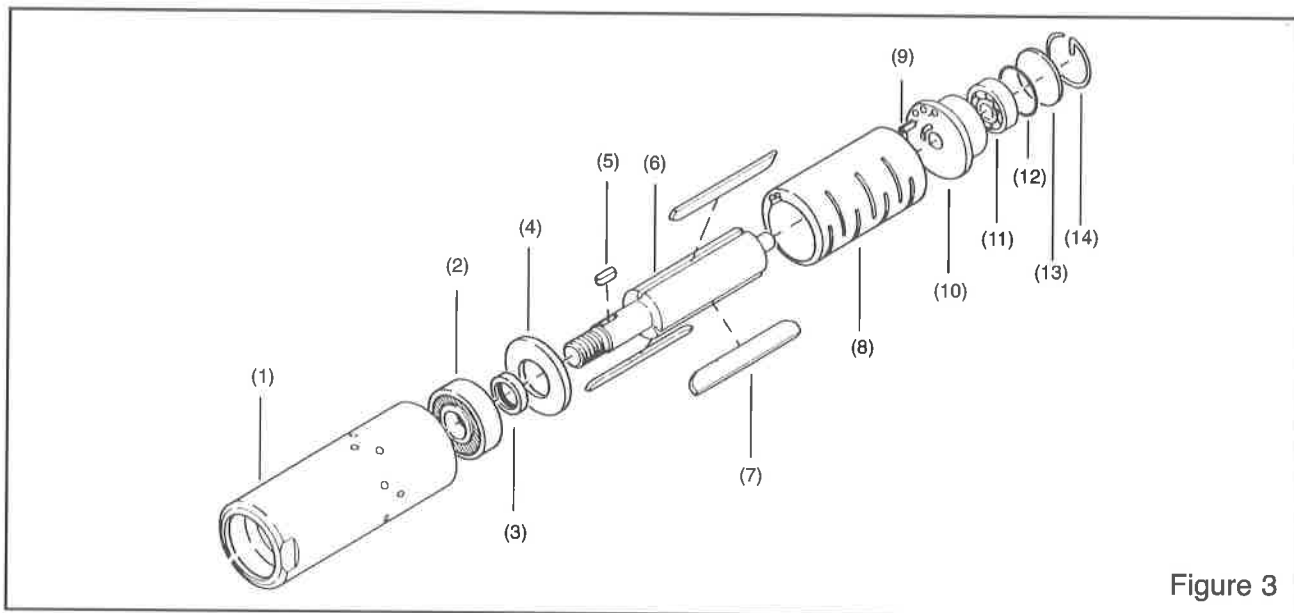


Figure 3

7.3 ORBITER III Tool, less hoses and gun
(See Figure 4.)93133

Item Description	Stock No.
(1) Hub nut90959
(2) Head, front90960
(3) Head, rear90961
(4) Hub90962
(5) Flange90963
(6) Casing93262
(7) Key93265
(8) Airmotor, complete93260
(9) Motor housing90966
(10) O-ring (37.1 X 1.6)93257
(11) O-ring (79.5 X 30)90969
(12) O-rings (4 each, 44.2 X 30)90970
(13) O-ring (20.22 X 3.53)93258
(14) Rod90981
(15) Nut90978

Item Description	Stock No.
(16) Piston90979
(17) Rod90980
(18) Cylinder90973
(19) Cover90975
(20) Nut90982
(21) O-ring (12.1 X 1.6)90976
(22) O-ring (7.1 X 1.6)93259
(23) Airtube, 288mm (11.34")93102
(24) Airtube, 150mm (5.91")93104
(25) Airtube, 310mm (12.2")93100
(26) Socket90984
(27) Pin90983
(28) Plate93093
(29) Nut90978
(30) Screw93095
(31) Tube93311
(32) Connection body93312
(33) Inner arm93313
(34) Outer arm93314

Item Description	Stock No.	Item Description	Stock No.
(35) Wheel	93315	(45) Strainer	.93077
(36) Screw	.93318	(46) Cover	.93323
(37) Plate	.93317	(47) Nut	.93324
(38) Screw	.93318	(48) Nylon ring	.93326
(39) Bushing	.93319	(-) Rotating head kit for Orbiter III, includes: 90960 ..	
(40) Bushing	.93320	Front head, 90961 Rear head,	
(41) Paint tube	.93321	90962 Hub	.94001
(42) T-piece	.93322	(-) Wheel kit for Orbiter III, includes: 93318 Screw, ..	
(43) Spray tip (See spray tip selection list)		93319 Bushing, 93315 Wheel, 93317 Plate,	
(44) Strainer housing, complete	.93076	93324 Nut	.94002

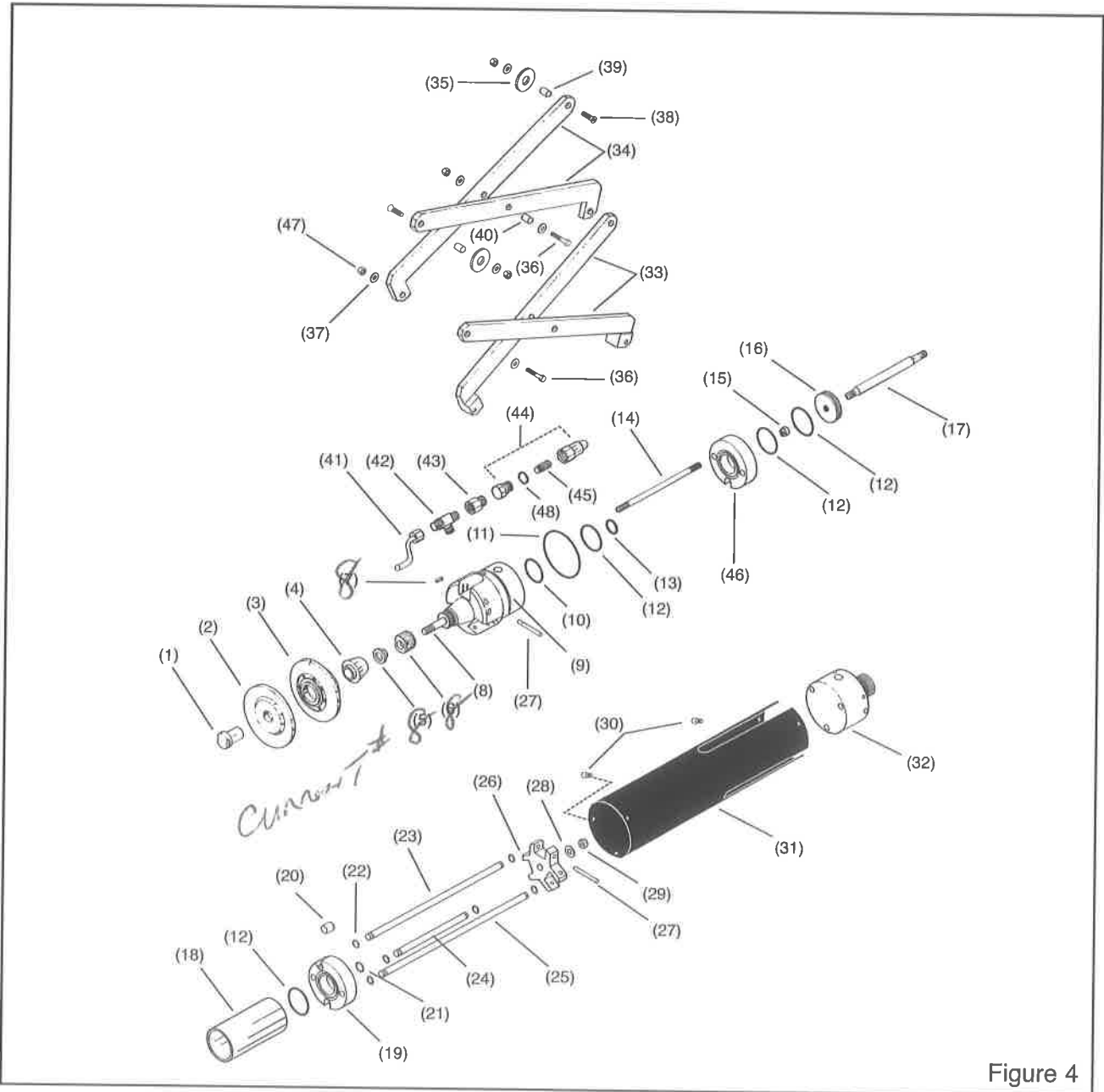


Figure 4

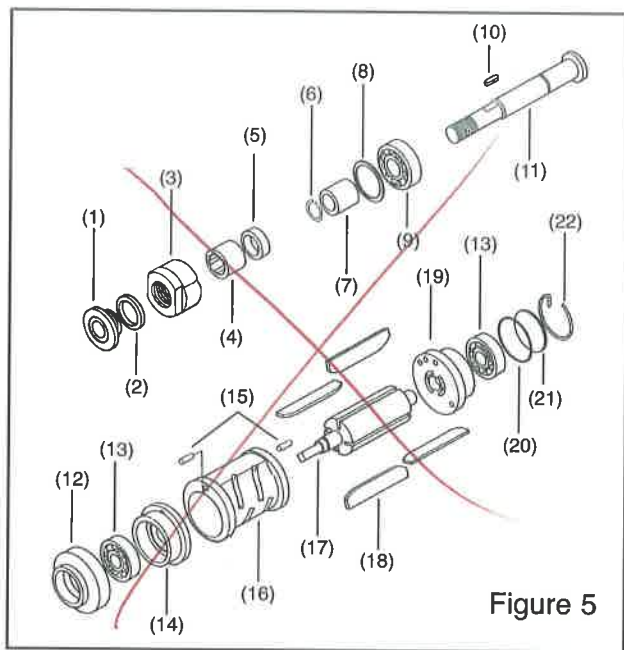


Figure 5

7.4 ORBITER III Air Motor
(See Figure 5.)93260

Item Description	Stock No.
(1) Flange90963
(2) Felt ring93261
(3) Casing93262
(4) Needle bearing93263
(5) Spacer93264
(6) Snap ring93255
(7) Bearing93265
(8) Spacer93266
(9) Ball bearing93267
(10) Key93256
(11) Spindle93268
(12) Cylinder setter93269
(13) Ball bearings (2)93270
(14) Front plate93271
(15) Roll pins (2)93272
(16) Cylinder93273
(17) Rotor93274
(18) Blades (4)93275
(19) Rear plate93276
(20) O-ring (25.1 X 1.6)93277
(21) Spacer93304
(22) Snap ring93305

7.5 Control Gun Assembly
(See figure 6.)93131

(1) Gauge90933
(2) Air regulator90934
(3) Connection90935

Item Description **Stock No.**

(4) Bushing90936
(5) Coupling90937
(6) Knob90938
(7) Bracket90939
(8) Bolt90940
(9) 3-way valve90931
(10) Locking ring93299
(11) Tightening ring93300
(12) O-ring (22.1 X 1.6)93301
(13) O-ring (22.1 X 1.6)93303
(14) Housing93298
(15) Silencer90941
(-) O-ring (8.1 X 1.6)93306
(-) O-ring (11.1 X 1.6)93307

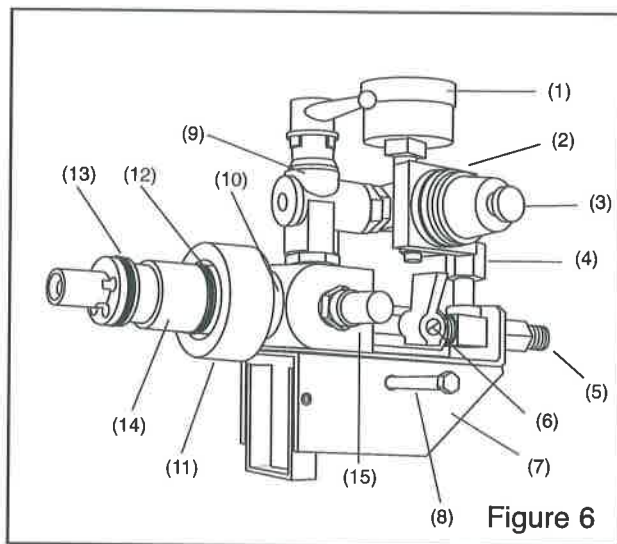


Figure 6

7.6 Paint Spray Gun
(See Figure 7.)93130

Item Description	Stock No.
(1) Cap screw93008
(1a) Connector for paint spray gun93302
(2) Gasket93009
(3) Valve seat93010
(4) Gasket93011
(5) Valve needle93012
(6) Inset93013
(7) Gasket93014
(8) Packing93015
(9) Packing screw93016
(10) Body93019
(11) Gasket93017
(12) Nut93018
(13) Pressure plug93021

(14) Threaded pin93020	(25) Trigger screw93032
(15) Guide sleeve93022	(26) Washer93031
(16) Spring93024	(27) Trigger axle93193
(17) Closure screw93025	(28) Shoulder screw93194
(18) Threaded pin93925	(29) Safety lever93030
(19) Gasket93029	(30) Elastic washer93195
(20) Sleeve93090	(31) Trigger93088
(21) Handle93089	(32) Screw93027
(22) Threaded pin93091	(33) Trigger guard93028
(23) Gasket93086	(34) Extraction ring93196
(24) Double nipple93087	(35) Screw93334

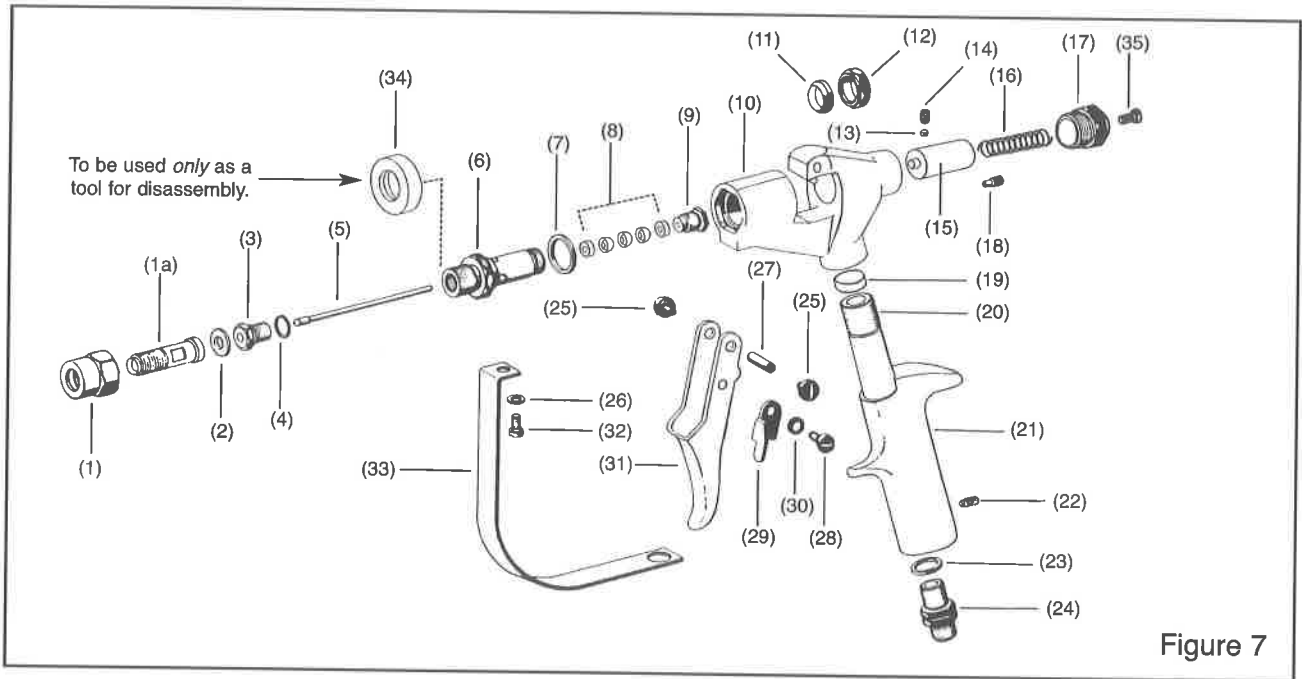


Figure 7

7.7 Common Parts

Description	Stock No.
(-) Air control hose, 10 ft. (3.0m)	.90925
(-) Air control hose, 16 ft. (5.0m)	.90926
(-) Air control hose, 32 ft. (10.0m)	.90927
(-) Paint hose, 11 ft. (3.5m)	.93054
(-) Paint hose, 18 ft. (5.5m)	.93056
(-) Paint hose, 34 ft. (10.5m)	.93057
(-) O-ring set, Obriter III	.93308
Includes:	
Nylon ring	.93326
O-ring (79.5 X 3.0)	.90969
O-ring (44.2 X 3.0)	.90970
O-ring (12.1 X 1.6)	.90976
O-ring (37.1 X 1.6)	.93257
O-ring (20.22 X 3.53)	.93258
O-ring (7.1 X 1.6)	.93259
Felt ring	.93261
O-ring (25.1 X 1.6)	.93277

Description	Stock No.
(-) O-ring set, Orbiter I	.93309
Includes:	
O-ring (34.2 X 3.0)	.93073
O-ring (34.2 X 3.0)	.93075
O-ring (16.1 X 1.6)	.93295
Nylon ring	.93326
(-) O-ring set, Air Control Hose	.93310
Includes:	
O-ring (22.1 X 1.6)	.93303
O-ring (22.1 X 1.6)	.93301
O-ring (8.1 X 1.6)	.93306
O-ring (11.1 X 1.6)	.93307
(-) Paint hose union, 1/4" BSP X 1/4" BSP	.93333
(-) Spray tip .018 orifice	.93250
(-) Spray tip .021 orifice	.93251
(-) Spray tip .026 orifice	.93078
(-) Spray tip .031 orifice	.93052
(-) Spray tip .036 orifice	.93253
(-) Spray tip .043 orifice	.93254