

# PULSAR® IX Suction Blast Cabinet

**Clean  
Peen  
Deburr  
Finish**



Model Pulsar® IX-S with Power Module

Rear view of Suction Power Module



## Pulsar® IX Features:

### Safety

- ✓ Work surface flush with door sill for easier access
- ✓ Full-length, neoprene-on-fabric gloves resist wear and protect operator
- ✓ Ceiling-mounted, fluorescent light fixture with abrasive resistant Lexan® cover for extraordinary visibility
- ✓ Safety interlocks interrupt blasting if either door is opened (Conforms to US regulations)
- ✓ Adjustable, heavy-duty chromed latches seal doors tight through years of service

### Productivity

- ✓ Unique Air Logic system (pilot-actuated) to maximize air flow to the blast gun
- ✓ Timed dust collector auto-pulse feature allows pulse adjustments suited to the application
- ✓ Double-wall, sound-insulated doors, with industrial-quality lift-off hinges
- ✓ 14-gauge steel all-welded construction forms a rigid, long-lasting, cabinet shell
- ✓ Large 20" x 30" window

### Convenience

- ✓ Tilt-out window, for tool-free glass changes in minutes
- ✓ Pressure regulator, gauge, and electric switch mounted within easy reach
- ✓ Built-in blow-off gun helps keep dust inside the cabinet, not on your floor

## Power Module Features:

- ✓ Standard reclaim wear plate
- ✓ Adjustable vortex tube
- ✓ HEPA filter ready
- ✓ Designed to handle steel grit (G80 and finer) and steel shot (S-170 and finer) with no modifications
- ✓ Components skid mounted for ease of moving
- ✓ Dual cartridges swing out for ease of replacement

## Common Applications

- Remove rust, mill scale, heat scale, and carbon buildup from metals
- Strip paint, powder coating, plating, and anodizing from parts for rework
- Eliminate defects from castings and injection-molded parts
- Beautify metal surfaces
- Etch a wide variety of materials
- Clean release agents and material buildup from molds
- Extract residual sand from castings

## BNP Blast Gun with Ceramic Nozzle

The BNP gun sets the standard for performance and durability. The ergonomic grip reduces operator fatigue thereby increasing productivity. A tungsten or boron carbide nozzle is optional.



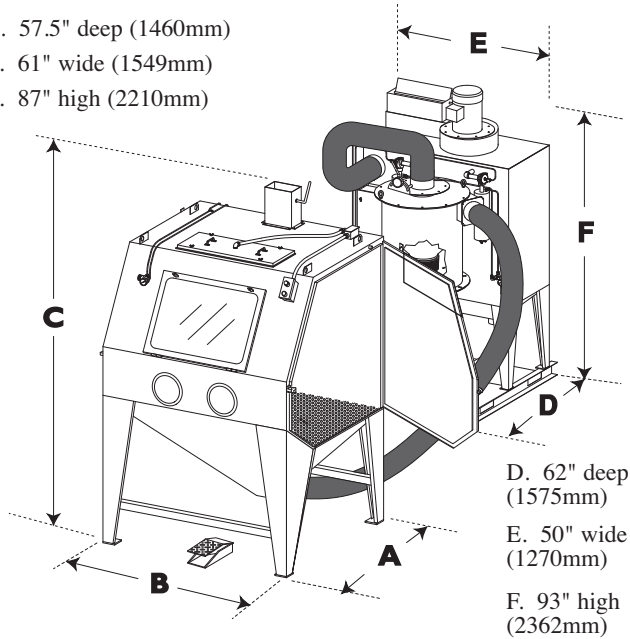
Cutaway shown

# S P E C I F I C A T I O N S

## PULSAR SUCTION SYSTEM

Actual Space required depends on equipment configurations, options and desired work flow. Allow additional work space for operator and maintenance access.

- A. 57.5" deep (1460mm)
- B. 61" wide (1549mm)
- C. 87" high (2210mm)

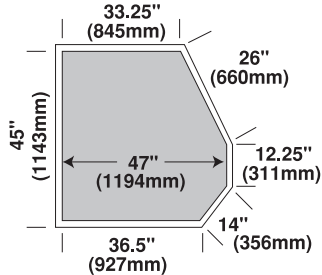
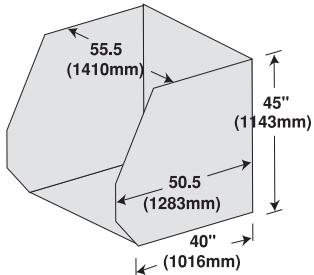


- D. 62" deep (1575mm)
- E. 50" wide (1270mm)
- F. 93" high (2362mm)

## CABINET

### Working Chamber Size

### Door Opening



Door interlock system conforms to U.S. government regulations.

### Window Size (safety glass)

30" wide (762mm) 20" high (508mm)

## DUST COLLECTOR

Reverse-pulse cartridge dust collectors (which trap 99.7% of dust down to 0.5 micron) allow non-stop, high-production blasting. The polyester-cellulose cartridges are automatically pulse cleaned for maximum filter efficiency. Worn cartridges can be replaced in minutes. Timer-controlled auto-pulse is standard.

### Reverse Pulse Collector Cartridge

208 sq ft filter area per cartridge; RP-2 has two cartridges (416 sq ft)

Clemco is committed to continuous product improvement. Specifications are subject to change without notice. ISO 9001 certified.

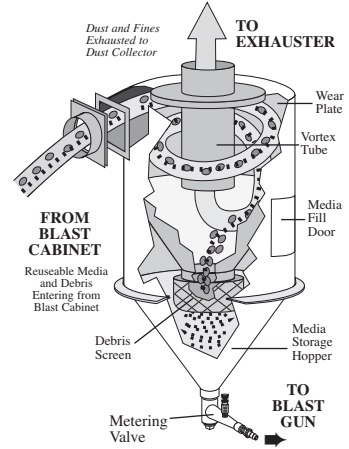
## BLAST/RECLAIM SYSTEM

### The Heart of ZERO's Blasting System

Our exclusive media reclaimers continuously extract dust and debris and return properly sized, usable media to the blast system. The standard reclaimer handles most media.

The suction blast metering valve is infinitely adjustable from fully-closed to wide open, and locks into any setting without tools.

The versatile design of the reclaimer lets you quickly adapt the system to your changing needs—add media hoppers, or convert to a pressure blast system.



## BNP BLAST GUN

### AIR CONSUMPTION

BNP GUN	NOZZLE ORIFICE	AIR JET	CFM at 80 PSI	M <sup>3</sup> /Min at 5,5 BAR
No. 4	5/16"	1/8"	21	0,60
No. 5	5/16"	5/32"	32	0,90
No. 6	3/8"	3/16"	48	1,35
No. 7	7/16"	7/32"	62	1,76
No. 8	1/2"	1/4"	85	2,41

Cabinet comes standard with a No. 5 BNP gun. Other sizes and liner materials are available.

### Reclaimer Flow Rate

Nominal 900 cfm

### ELECTRICAL

2HP, 220/440V, 3PH, 60HZ, (1.5KW, 220V, 3PH, 50HZ)

## ORDERING INFORMATION

Model	Stock No.	Shipping Weight
Pulsar® IX-S blast cabinet with power module	22747	1,735 lb (789kg)

## POPULAR ACCESSORIES

- Adjustable Gun Mount
- Air-powered Vertical Lift Door
- Alox Kit
- Curtains (black or white)
- HEPA filter
- Manometer Kit
- Oscillator Assembly
- Pass-through Doors
- Timed Door Release
- 40-inch Diameter Turntable
- Two Gallon Tumble Basket
- Work Car & Track Assembly

Distributed By: