



CLEMCO
The Performance System

TECHNICAL DATA SHEET

Note: For safe, efficient blasting, read and follow the owner's manual and seek training for everyone who will use this equipment.

Purpose

Allows connection of nylon blast hose to the blast machine.

Description of Operation

The CFP coupling attaches at the blast machine pusher line outlet to allow quick connection to any blast hose fitted with Clemco quick couplings.

Advantages

- Fiber-reinforced nylon material springs back from most impacts that would dent or deform metal couplings
- Built-in lock-springs eliminate need for safety pins

Related Clemco Literature

Description	Stock No.
Contractor Series Catalog	21385
Abrasive Blasting Safety Practices	22090
Blast Off 2	09294
Safety Cable TDS.....	21970

Options and Accessories

Description	Stock No.
Coupling Gasket (10 pack)	08853
Safety Cable	15013
Lock-spring (25 pack).....	21585

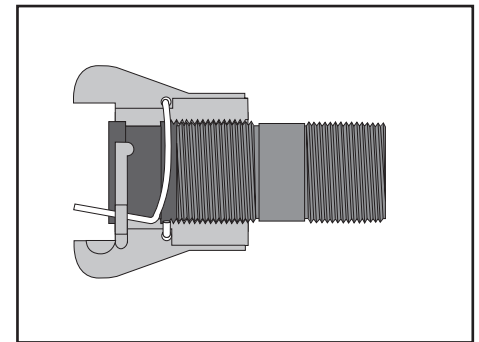
Description

Fiber-reinforced 1 1/4 inch threaded nylon quick coupling to fit abrasive blast machine outlet. Comes bonded to schedule 80 pipe.



CFP Threaded Quick Couplings

Stock Nos. 10806, 21733, 21734, 21735



Model	Stock No.	Pipe Attachment Dimensions	For:
CFP-2C	21733	1 1/4" x 6 1/2"	2 cu ft Contractor Machine
CFP-4C	21734	1 1/4" x 8"	4 cu ft Contractor Machine
CFP-6C	21735	1 1/4" x 10"	6 cu ft Contractor Machine
CFP-P	10806	1 1/4" x 3"	All standard blast machines with 1" or 1 1/4" piping

Packaging

Ships loose

Model	Dimensions	Weight
CFP-2C	3 1/2" x 2 5/8" x 8 1/2"	1.4 lb
CFP-4C	3 1/2" x 2 5/8" x 10"	1.6 lb
CFP-6C	3 1/2" x 2 5/8" x 12"	2 lb
CFP-P	3 1/2" x 2 5/8" x 5"	0.8 lb

Color

Yellow

Authorized Distributor:

ISO 9001:2008 certified. Clemco is committed to continuous product improvement. Specifications are subject to change without notice.