

BNP Cabinet Accessory 20" x 30" Window Retro-Fit Kit



Clemco Industries Corp. • One Cable Car Drive • Washington, MO 63090
Phone: (636) 239-4300 • Fax: (800) 726-7559
Email: info@clemcoindustries.com
www.clemcoindustries.com

NOTICE TO PURCHASERS AND USERS OF OUR PRODUCTS AND THIS INFORMATIONAL MATERIAL

The products described in this material, and the information relating to those products, is intended for knowledgeable, experienced users of abrasive blasting equipment.

No representation is intended or made as to the suitability of the products described herein for any particular purpose of application. No representations are intended or made as to the efficiency, production rate, or the useful life of the products described herein. Any estimate regarding production rates or production finishes are the responsibility of the user and must be derived solely from the user's experience and expertise, and must not be based on information in this material.

The products described in this material may be combined by the user in a variety of ways for purposes determined solely by the user. No representations are intended or made as to the suitability or engineering balance of the combination of products determined by the user in his selection, nor as to the compliance with regulations or standard practice of such combinations of components or products.

It is the responsibility of the knowledgeable, experienced users of the products mentioned in this material to familiarize themselves with the appropriate laws, regulations and safe practices that apply to these products, equipment that is connected to these products, and materials that may be used with these products.

It is the responsibility of the user to insure that proper training of operators has been performed and a safe work environment is provided.

Our company is proud to provide a variety of products to the abrasive blasting industry, and we have confidence that the professionals in our industry will utilize their knowledge and expertise in the safe efficient use of these products.

OWNER'S MANUAL

1.0 INTRODUCTION

1.1 These instructions cover the installation, and replacement parts to convert old style 13" x 19" cabinet window, to new style 20" x 30" quick change window.

1.2 Tools required:

- Drill motor and 3/16", 1/4", & 5/16" drill bit
- Nibbler, Jig saw or other means of cutting straight and 1 1/2" radius cuts on 12 ga. sheet metal
- Die grinder, right angle grinder, or drill attachment to cut 1/4" steel support angle
- File to remove burrs and sharp edges
- Silicone caulking and caulking gun
- Medium screwdriver
- Two 7/16" wrenches or two small adjustable wrenches
- 3/8" wrench or small adjustable wrench

2.0 REMOVE EXISTING WINDOW

2.1 If the light-shield assembly extends over the top of the existing view window, remove the three machine screws from the light shield hinge, and move the light assembly out of the way. This step is not required if the light is mounted on top of the cabinet.

2.2 Remove the old window, by pulling the filler strip from the window molding. Reaching through a glove or door opening, push the bottom edge of the window from inside the cabinet, to remove it from the front. Remove the window molding.

3.0 CUT OUT WINDOW OPENING

3.1 Place the new window frame (flat side down) on the window opening as shown in Figure 1, making sure the inside, lower edge of the frame is aligned with the lower edge of the existing opening. Using the frame as a template, mark the cabinet for the new cutout and screw holes.

3.2 Cut out the area marked. NOTE: A section of the angle stiffener located inside the cabinet must also be removed. Remove 2" of the stiffener on each side of the opening, to provide the clearance necessary for the backing plate.

3.3 Drill 5/16" holes through the cabinet shell at the four locations marked.

3.4 Remove burrs and sharp edges.

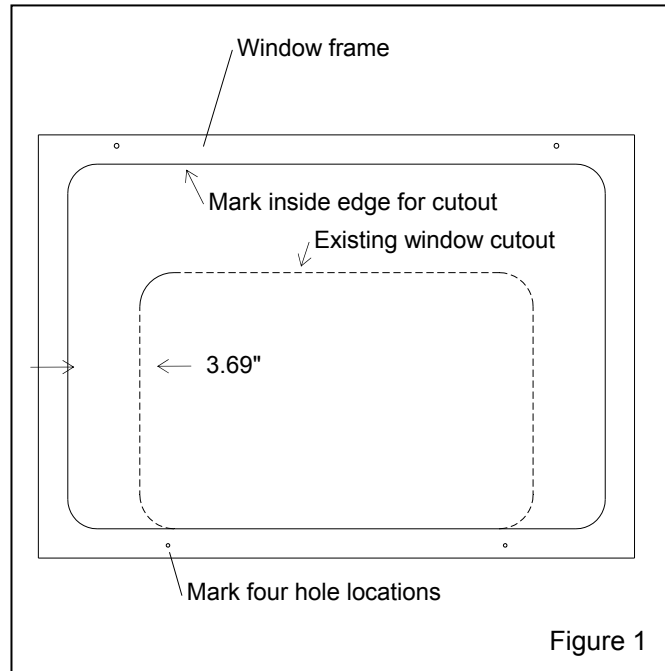


Figure 1

4.0 INSTALL BACKING PLATE

4.1 Working from inside the cabinet, Position the backing plate against the inside of the cabinet by inserting the four studs through the drilled holes, as shown in Figure 2.

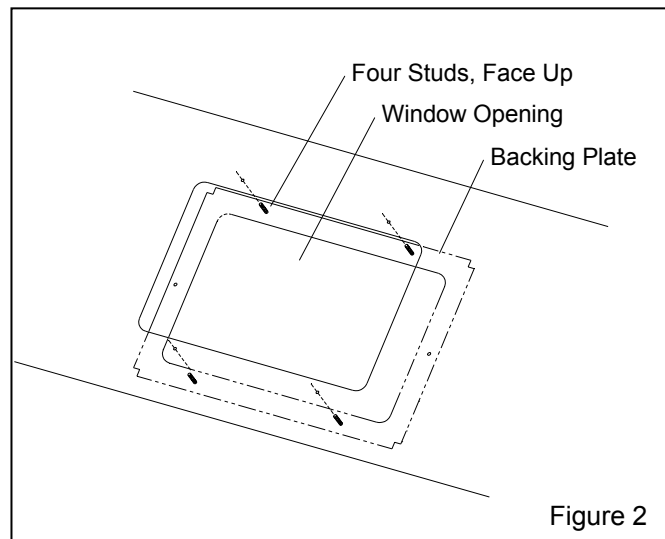
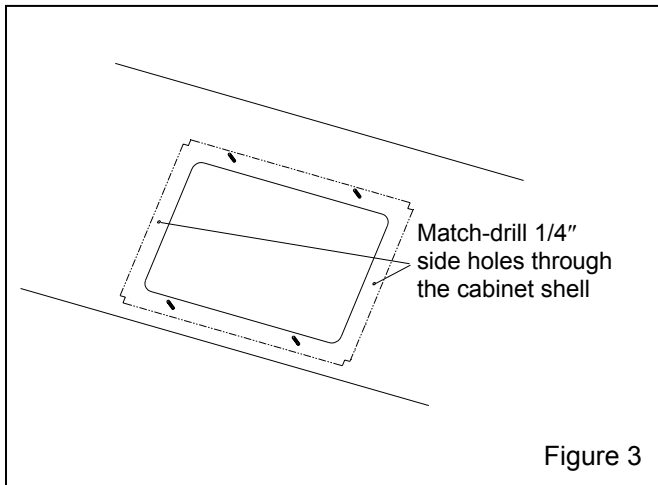


Figure 2

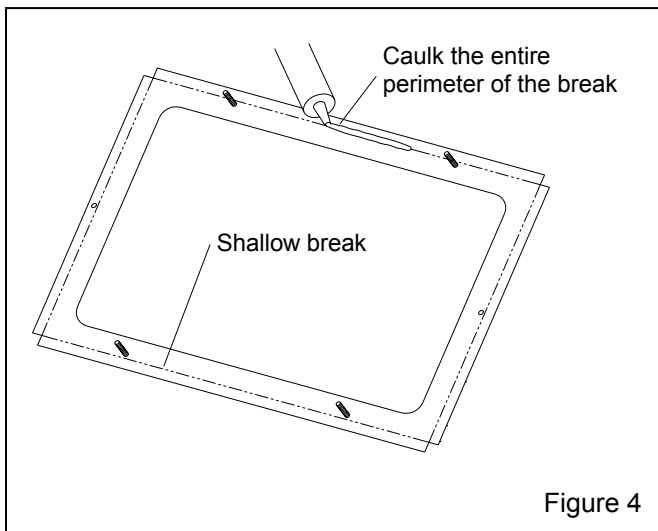
4.2 Temporarily bolt or clamp the backing plate into position to prevent movement.

4.3 From inside the cabinet, match-drill 1/4" holes through the cabinet shell at the backing plate's two side holes, as shown in Figure 3.



4.4 After both side holes are match-drilled, remove the clamps, and remove the backing plate.

4.5 Lay a bead of caulking over the break (bend) in the backing plate as shown in Figure 4. The caulking must cover the entire perimeter of the plate.

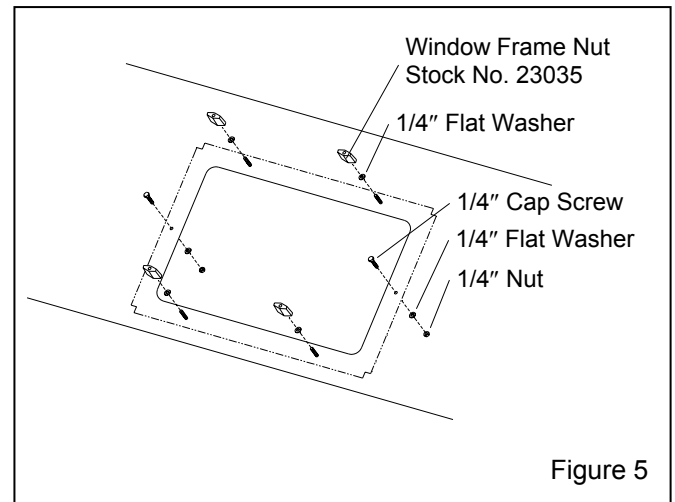


4.6 Hand-tighten the two cap screws, flat washers, and nuts in the side holes, as shown in Figure 5.

4.7 Hand tighten the four plastic window frame nuts and flat washers, as shown.

4.8 Uniformly tighten all fasteners to evenly compress the backing plate to the cabinet.

4.9 Wipe the excess caulking from inside the cabinet and from the window opening and cabinet face. It is important that the face of the cabinet be free of all foreign material that may prevent the gasket from adhering.



4.10 Allow time for the caulking to cure, preferably overnight, before removing the four knobs and washers. The washers may be discarded.

5.0 INSTALL STRIP GASKETS

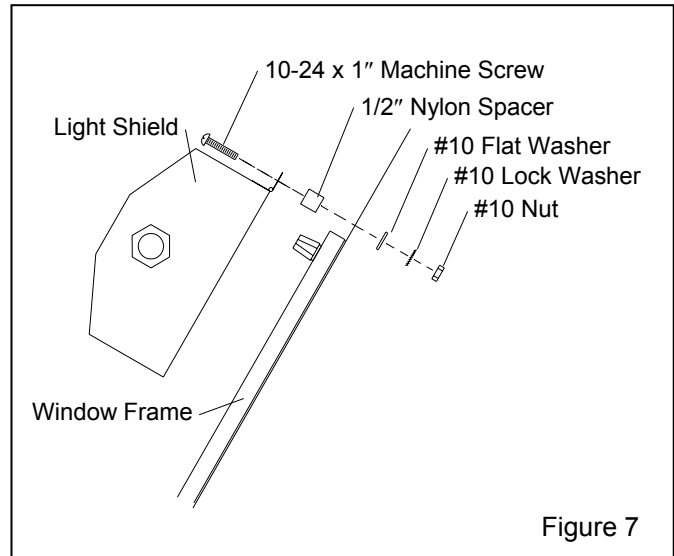
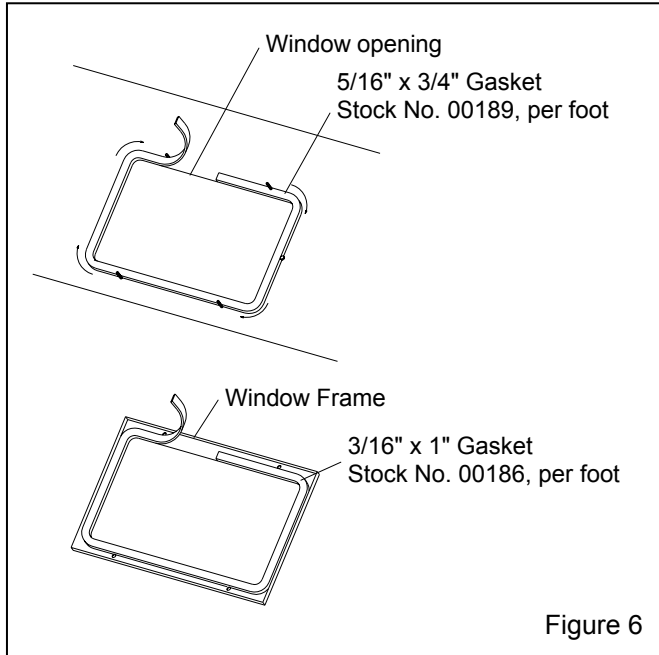
5.1 Trim and otherwise remove any caulking material from the surface of the cabinet.

5.2 Ensure that the surface is free of oil silicone or other materials that will interfere with the adhesion of the adhesive backed, strip gasket.

5.3 Peel a short section of gasket backing from the 5/16" x 3/4" strip gasket, and adhere the gasket to the center of the top edge of the cabinet opening as shown in Figure 6. Peel additional backing as needed, and work the strip around the radius of each corner, pressing it tightly to bond. Trim the gasket to fit, and compress the ends to seal.

5.4 Repeat the process on the window frame, using 5/32" x 3/4" strip gasket.

5.5 Trim around the window frame bolts holes, as needed.



6.0 INSTALL WINDOW AND FRAME

6.1 Set the window squarely over the window opening, ensuring that all edges of the window are centered and overlapping the window gasket, and resting on the lower mounting screws.

6.2 Place the window frame over the glass and secure it with four plastic window frame nuts.

7.0 ATTACH LIGHT SHIELD

7.1 Center the light shield on the top of the frame, ensuring that it overlaps the window. Mark the three holes locations on the face of the cabinet and match drill three; 3/16" holes.

7.2 Using the hardware provided, reattach the light-shield to the cabinet, as shown in Figure 7.