



CLEMCO
The Performance
System

TECHNICAL DATA SHEET

Note: For safe, efficient blasting, read and follow the owner's manual and seek training for everyone who will use this equipment.

Purpose

The Clemco Cool Air Tube (CAT) allows the blast operator to control the temperature and volume of air to a Clemco high-pressure Type CE continuous flow supplied-air respirator within a preset range and to cool the air by as much as 50° F.

Requirements for Operation

20 cfm at 90 to 100 psi of Grade D quality breathing air as defined by the Compressed Gas Association Commodity Specification: G-7.1 (www.cganet.com)

Pressure requirements vary with hose length.

25 ft - 75 ft	90 psi
100 ft - 125 ft	95 psi
150 - 200 ft	100 psi

NOTE: Do not exceed 200 ft of respirator hose with this device.

Description of Operation

The Cool Air Tube is placed between the respirator air supply line and the helmet breathing tube. A knurled knob on the valve lets the operator adjust the cooling rate of the air entering the respirator.

The Cool Air Tube cannot be closed completely, so the operator always has at least the minimum required volume of air for breathing and to maintain positive pressure inside the helmet.

The CAT comes with a belt that adjusts to fit up to a 54-inch waist. The durable buckle can be fastened and unfastened with gloved hands.

A heat shield protects the operator from warm exhaust air (a byproduct of the production of cool air).

Description

Belt-mounted, adjustable valve — cools breathing air for use with Clemco respirator models Apollo 60 HP and Apollo 20 HP. Allows operator to adjust flow and temperature of incoming air.

Cool Air Tube (CAT)

Stock No. 04410



Advantages

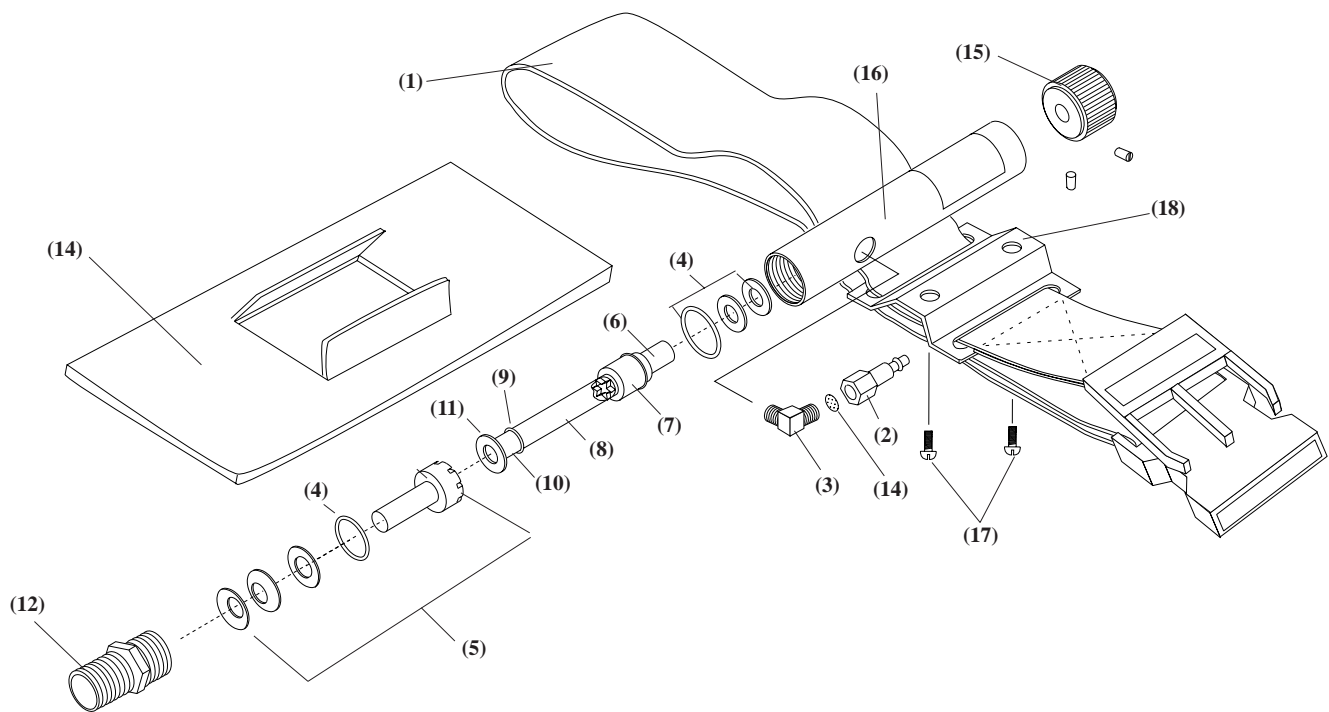
- Increases productivity by keeping blast operator cool and comfortable in hot weather
- Durable construction
- Lightweight comfort system maintains NIOSH approval

Certifications and Approvals

The Cool Air Tube is approved by NIOSH for use only with Clemco Apollo HP high-pressure Type CE supplied-air respirators (not for use with low-pressure respirators).

The Cool Air Tube is one component of a NIOSH-approved system; use of counterfeit parts voids the NIOSH approval.

To maintain NIOSH approval, use only genuine Clemco Apollo replacement parts.



Related Clemco Literature

Description	Stock No.
Contractor Series Catalog	21385
Abrasive Blasting Safety Practices	22090
Blast Off 2	09294
Operator Safety Equipment Product Study	07764
Cool Air Tube Owner's Manual	08956

Options and Accessories

Description	Stock No.
Carbon monoxide alarm, CMS-2	22894

Packaging

Ships in individual box

Dimensions	Shipping	Unit
Height:	10 ¹ / ₄ "	
Width (dia.):	4 ³ / ₄ "	
Depth:	3"	
Weight:	1 ¹ / ₂ lb	1.17 lb

Color

Blue body with black shield

Replacement Parts

Item	Description	Stock No.
(-)	Cool-Air Tube, complete	04410
1.	Belt	04430
2.	Quick disconnect	08449
3.	Elbow, 1/4" male	08869
4.	Seal kit (4 O-rings)	08870
5.	Cool-end venturi kit	08871
6.	Valve stem	08962
7.	Valve insert	08963
8.	Vortex tube assembly	23030
9.	Spacer, narrow	08966
10.	Tube, venturi	08967
11.	Spacer, wide	08968
12.	Helmet hose connection	08971
13.	Filter screen	08973
14.	Heat shield	08981
15.	Knob with set screws	08985
16.	Body	08961
17.	Machine screw, round head 10-24 x 1/4"	08980
18.	Belt Clip	08974

NOTE: If items 4 and 5 are ordered together you will receive an extra cool-end venturi O-ring.

Authorized Distributor:

ISO 9001-2000 certified. Clemco is committed to continuous product improvement. Specifications are subject to change without notice.

© 2004 Clemco Industries Corp. • One Cable Car Drive • Washington, MO 63090 • Phone (636) 239-4300 • Fax (636) 239-0788

Stock No. 21965

www.clemcoindustries.com

Job No. 1195-1295 • Date of Issue: 06/98, Rev. B; 08/04