



INDUSTRIAL BLAST FACILITIES
**PRE-ASSEMBLED
BLAST ROOMS**





INDUSTRIAL
Blast Facilities
by
USA **CLEMCO**
www.clemcoindustries.com

M-SECTION pneumatic recovery system

Pre-Assembled Blast Rooms

The pre-assembled blast room is built on a rigid structural steel floor, with 10-gauge steel walls and 16-gauge steel ceiling, 1-1/2 inch thick floor grating, and full-height, full-width work doors.

High-volume air inlets and a rugged down-flow-type dust collector combine to create true cross-draft ventilation at 60 fpm to minimize dust clouding inside (per ANSI/ASSE Z.9.4-2011). Bright fluorescent lighting enhances visibility.

Place the room on a smooth, level floor and install a ramp to minimize site-prep requirements; or install in a pit to make the blast room floor level with your existing floor.

- ***No Pit Required***
- ***Quickest Set-Up***
- ***Lowest Total Cost for Complete System***
- ***Enclosure, Blast Machine, Operator Safety Equipment, Recovery, Reclaimer, and Dust Collector***
- ***Turnkey or Do-It-Yourself Installation***
- ***An Industrial Blast Facility***



Pre-Assembled Blast Rooms

Systems are available with mechanical recovery and air-wash abrasive cleaner, or pneumatic recovery and cyclone separator to let you tailor the pre-assembled room to your choice of blast abrasive and application. Standard systems are available for heavy media, glass bead, harsh/aggressive or lightweight media.

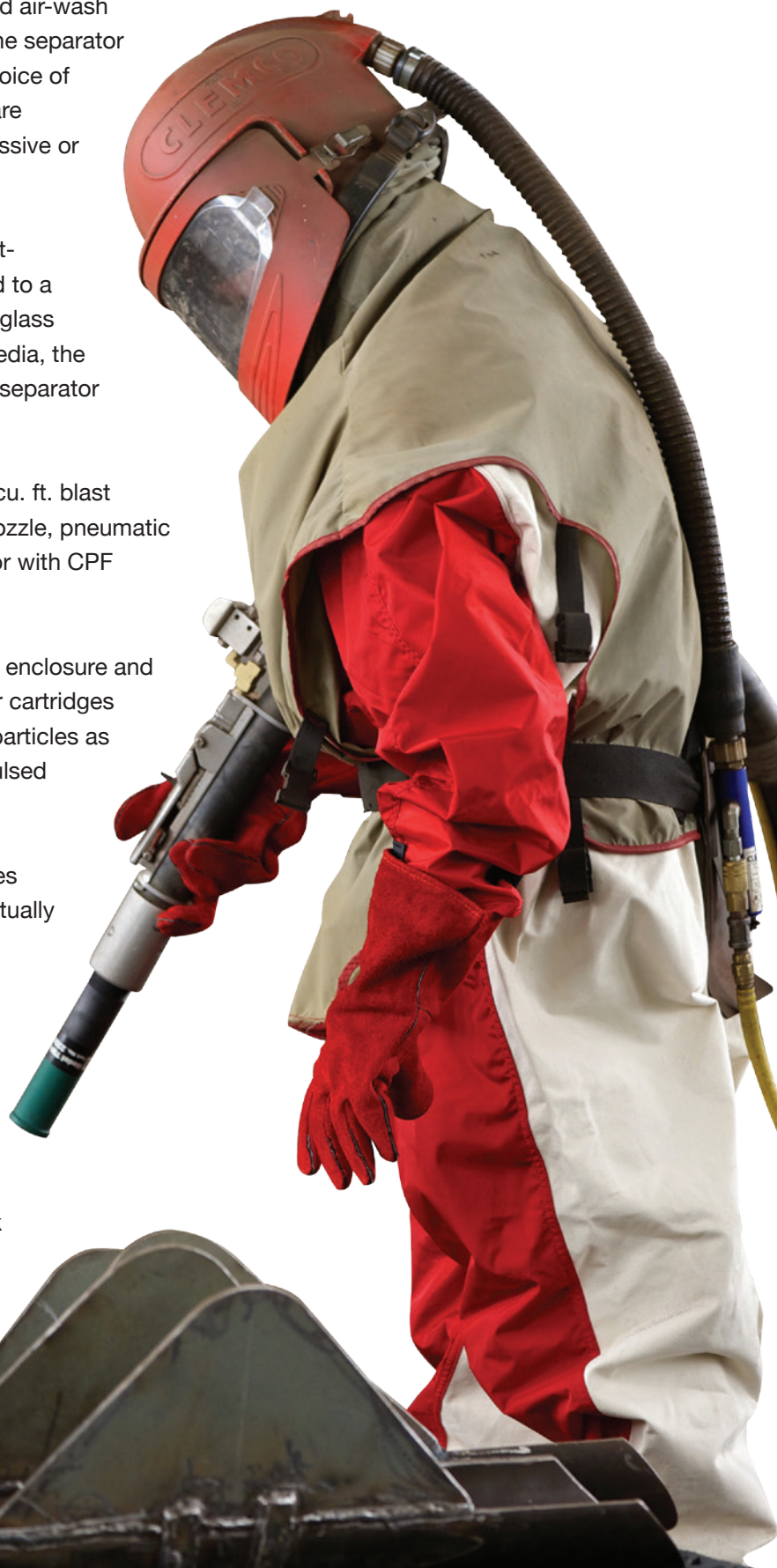
For heavy media, such as steel grit, choose the Flat-Trak® low-profile mechanical recovery floor coupled to a bucket elevator and air-wash abrasive cleaner. For glass bead, ALOX, plastic, starch or other light weight media, the M-Section® pneumatic recovery floor and cyclonic separator provide efficient abrasive handling.

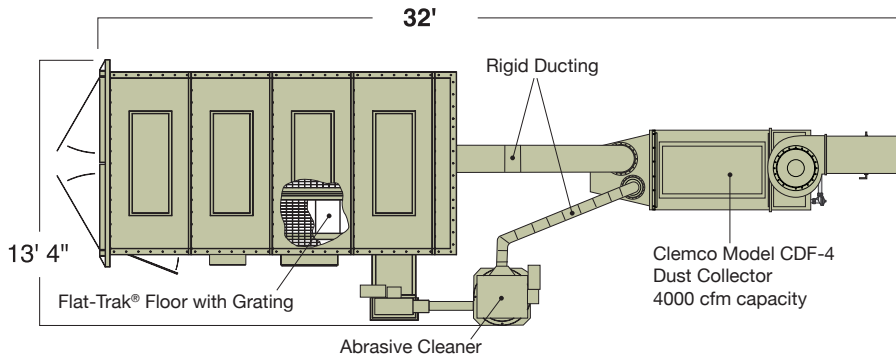
The standard blast machine package includes a 6 cu. ft. blast machine, flexible Supa™ blast hose and carbide nozzle, pneumatic remote control system, and an Apollo 600 respirator with CPF breathing air filter.

The Clemco CDF dust collector ventilates the blast enclosure and powers the media cleaner. Reinforced pleated-fiber cartridges provide a nominal 2.1-to-1 air-filter ratio, trapping particles as small as 0.5 micron. The filters are automatically pulsed clean with compressed air.

Directing exhaust air back into your building reduces heating and cooling costs. Optional HEPA filters virtually eliminate microscopic dust emissions.

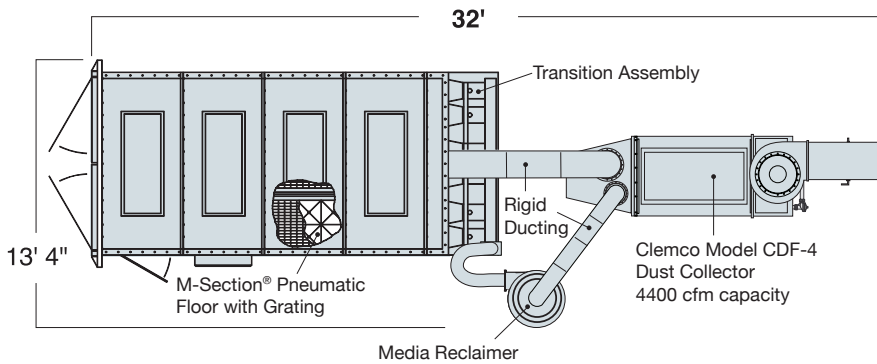
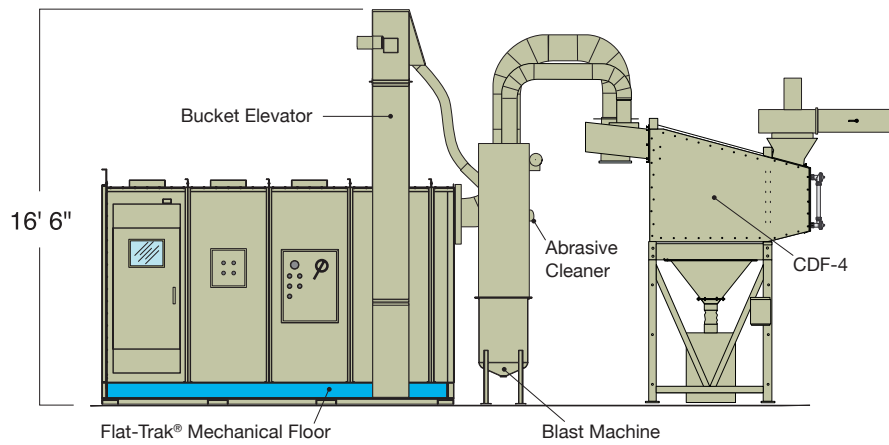
The worldwide network of Clemco Distributors has more than 70 years of experience planning, installing, and maintaining industrial blast equipment. Your authorized Distributor has trained personnel and a ready inventory of standard parts to keep your blast room operating at peak efficiency.





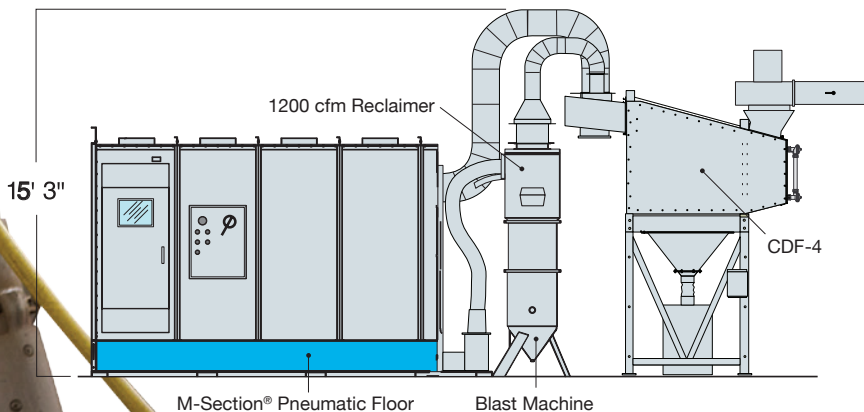
Flat-Trak® Pre-Assembled Blast Room

Recommended for steel grit. Includes low-profile mechanical recovery floor, bucket elevator, and air-wash abrasive cleaner.



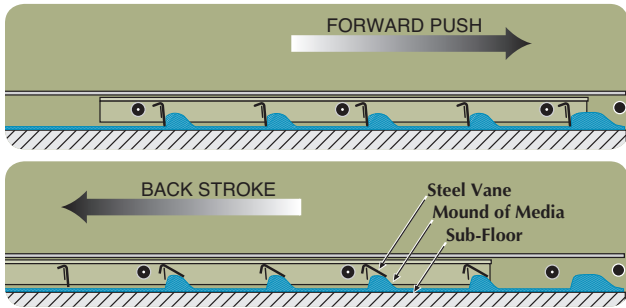
M-Section® Pre-Assembled Blast Room

Recommended for glass bead, ALOX, plastic, starch, or lightweight media. Includes pneumatic recovery floor, and cyclone media reclaimer.

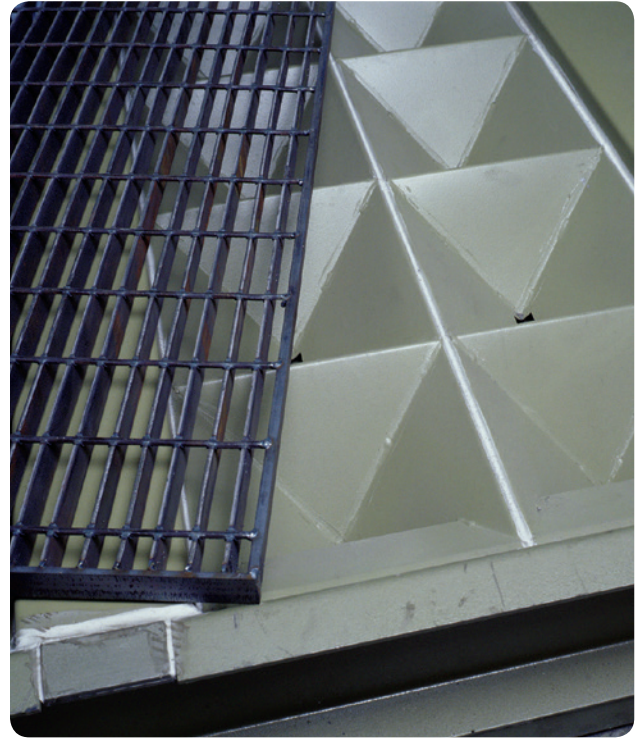


Pre-Assembled Blast Rooms

The Flat-Trak® Recovery Floor



The M-Section® Recovery Floor



Typical M-Section® Pre-Assembled Blast Room

Includes pneumatic recovery floor, cyclone media reclaimer, dust collector, complete plan drawings, air and electrical specifications, and installation and startup instructions. (Dust collector not shown)



Pre-assembled room shown with optional workcar tracks.

Specifications

Blast Room	<p>Standard size: 14 ft long x 7 ft wide x 8 ft tall (<i>interior dimensions</i>) (Other sizes by special order must meet federal DOT size limitations for transportation to be shipped assembled.)</p> <p>Construction: 10-gauge steel wall panels and doors and 16-gauge steel ceiling panels. Structural steel base supports recovery floor and standard 1-1/2" grating. Double doors swing open full width and full height for easy part loading. Large personnel door for ease of entry.</p> <p>Lighting: Four 48", 40-watt fluorescent tubes in ceiling-mounted, dust-tight fixtures.</p>
Safety Features	<p>Apollo 600 respirator is NIOSH-approved and OSHA-certified to protect operator from dust concentrations up to 1000 times the permissible exposure limit and carries a noise-reduction rating of 8 dB as secondary hearing protection. CPF filter removes moisture, oil and particles from breathing air.</p> <p>Carbon monoxide monitor (<i>not included but mandatory if to be used with oil-lubricated air compressors</i>) warns of dangerous CO levels.</p> <p>Blast suit and gloves (<i>included with the blast machine package</i>) protect operator's hands and body from rebounding abrasive.</p> <p>Remote control handle stops blasting automatically if operator loses control of the blast hose.</p> <p>Interlock system prevents blasting if any door is open. View windows allow monitoring of operator without interrupting blasting.</p> <p>Red system-stop button on control panel shuts down entire system.</p>
Media Recovery	<p>Flat-Trak®: Low-profile, full-area mechanical recovery is simple to operate and maintain. Grating: standard 1-1/2" thick for 250 lb./sq. ft. loading.</p> <p>M-Section®: Full-area recovery with few moving parts to maintain. Grating: standard 1-1/2" thick for 2,000 lb./sq. ft. loading. Optional rubber liners for use with harsh media. M-Section® design for plastic and starch media, or for harsh/aggressive media.</p>
Dust Collector	<p>Pleated filter cartridges are automatically pulse cleaned for efficiency and long life. Rigid ductwork connects blast room to dust collector. Flexible ductwork connects media separator to dust collector. Dust collector sized to suit application—4,000 cfm for air-wash separator or 4,400 cfm for pneumatic recovery and cyclone separator.</p>
Media Cleaning	<p>Reclaimer: For lightweight and fine media—1,200 cfm cyclone separator with rubber-lined inlet wear plate.</p> <p>Air-wash abrasive cleaner: For heavy and coarse media—Two-stage cleaning with scalping drum and air-wash curtain. Includes bucket elevator.</p> <p>Optional rubber-lined reclaimers, magnetic particle separators, dense particle separators, and multi-stage vibratory screen classification for applications that demand it.</p>
Control Panel	<p>Externally mounted panel with automatic start sequence and one-button shut down. For Flat-Trak® recovery floors, the panel allows precise control of recovery rates. Standard wiring is 460 volts, 3-phase, 60 hertz, with transformer for step-down voltage. Wiring and conduits between components must be supplied by customer to meet local electrical code.</p>
Blast Machine Package	<p>6 cubic foot capacity (<i>60° cone bottom with M-Section® system</i>) 150-psi rated, ASME-code pressure vessel with 1-1/4" piping, pneumatic remote controls and 1-1/2" moisture separator with automatic drain. Includes Supa™ blast hose, 3/8" orifice carbide venturi nozzle and all couplings, gaskets, and locking pins.</p>
Installation & Startup	<p>Pre-assembled blast room systems include plan drawings, air and electrical specifications, installation instructions and one-day start-up supervision for operational and maintenance training. Most customers, with advice from their Clemco distributor, have the resources and personnel needed to install the complete system. As an option, Clemco can provide turnkey installation.</p>
Optional Accessories	<p>Work car, tracks & turntable • External operator station • HEPA Filter • Dust collector explosion-vent panels Aggressive media options • Wall curtains • Boron carbide nozzles • Reclaimer and M-Section® rubber lining</p>

INDUSTRIAL
Blast Facilities
by **CLEMCO**[®]



©2017 Clemco Industries Corp.
One Cable Car Drive • Washington, MO 63090 • Phone: 636.239.4300 • Fax: 800.726.7559
info@clemcoindustries.com • www.clemcoindustries.com